

## INSTALLATION SPECIFICATION SHEET

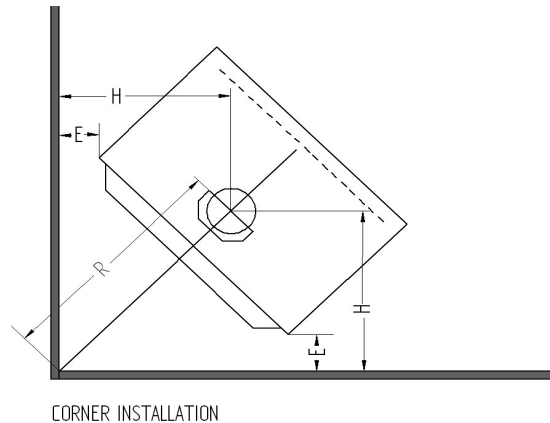
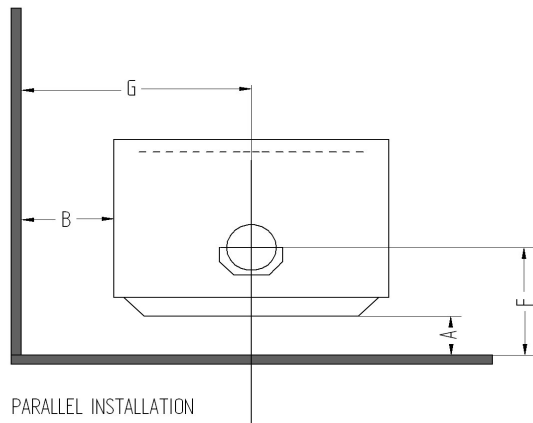
These instructions must be used in conjunction with the 'General Installation Instructions' for MASPORT wood fires.

### CLEARANCE REQUIREMENTS

This fire has been tested to the Australian/New Zealand Standard AS/NZS 2918:2001 and all installations must be in accordance with the minimum clearances to combustibles indicated in these instructions.

The minimum clearances to combustables may be reduced if the combustable walls are shielded with an approved non-combustable material. Details of suitable materials and appropriate clearance reduction factors are present in Section 3 of AS/NZS 2918:2001.

### POSITIONING YOUR FREE-STANDING WOODFIRE



### NEW ZEALAND

MINIMUM DISTANCES TO HEAT SENSITIVE WALLS (mm)

| MODEL                | FLUE HEAT SHIELD                | A   | B   | E   | F   | G   | H   | R§  |
|----------------------|---------------------------------|-----|-----|-----|-----|-----|-----|-----|
| Kronos<br>Multi Fuel | KRONOS DOUBLE SKIN S/S POLISHED | 170 | 330 | 160 | 377 | 680 | 514 | 726 |
|                      |                                 |     |     |     |     |     |     |     |
|                      |                                 |     |     |     |     |     |     |     |

### AUSTRALIA

MINIMUM DISTANCES TO HEAT SENSITIVE WALLS (mm)

| MODEL            | FLUE HEAT SHIELD | A | B | E | F | G | H | R§ |
|------------------|------------------|---|---|---|---|---|---|----|
| NOT<br>AVAILABLE |                  |   |   |   |   |   |   |    |
|                  |                  |   |   |   |   |   |   |    |
|                  |                  |   |   |   |   |   |   |    |

§ Valid only when the room walls are at 90° to each other.

‡ Note: Clearances are for fire hazard only. For durability of finishes or surfaces you should contact the relevant manufacturer for their specification. Glen Dimplex Australasia Ltd accepts no responsibility for the deterioration of surfaces or finishes.

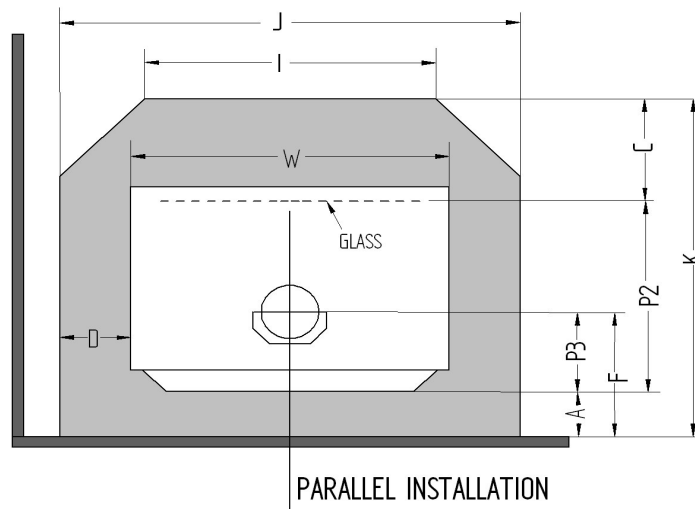
See " INSTALLING THE FLUE " for recommended Australian flue systems.

PRT. NO. KRMM0738

DATE: 28/09/2010

# FLOOR PROTECTOR (Hearth) REQUIREMENTS PARALLEL INSTALLATION

MINIMUM FLOOR PROTECTOR DIMENSIONS IN mm



# DIMENSIONS IN THE TABLE ARE VALID ONLY WHEN THE FIRE IS EXACTLEY AT ITS MINIMUM ALLOWABLE WALL CLEARANCE.

## NEW ZEALAND

| MODEL             | Flue Shield | Floor Protector height | A#  | C#  | D   | F   | I   | J   | K#   | P2  | P3  | W   | Floor Protector Type Ø |
|-------------------|-------------|------------------------|-----|-----|-----|-----|-----|-----|------|-----|-----|-----|------------------------|
| Kronos Multi Fuel | *           |                        | 170 | 300 | 100 | 377 | 600 | 900 | 1013 | 543 | 207 | 700 | ASH                    |
|                   |             |                        |     |     |     |     |     |     |      |     |     |     |                        |
|                   |             |                        |     |     |     |     |     |     |      |     |     |     |                        |

\* KRONOS double skin S/S polished 1200 mm shield

## AUSTRALIA - ALL WITH FLUE HEATSHIELD

| MODEL | Flue Shield | Floor Protector height | A# | C# | D | F | I | J | K# | P2 | P3 | W | Floor Protector Type Ø |
|-------|-------------|------------------------|----|----|---|---|---|---|----|----|----|---|------------------------|
|       |             |                        |    |    |   |   |   |   |    |    |    |   |                        |
|       |             |                        |    |    |   |   |   |   |    |    |    |   |                        |
|       |             |                        |    |    |   |   |   |   |    |    |    |   |                        |

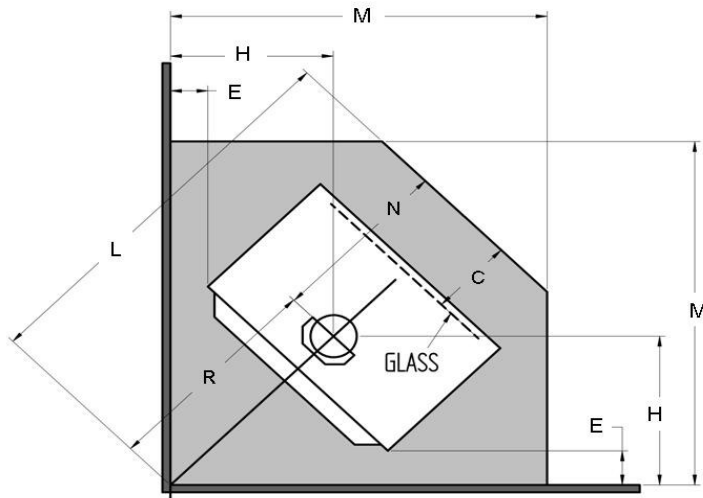
Ø for minimum constructional requirements see general installation instructions.

# Valid only when the fire is exactly at its minimum allowable wall clearance.

NOTE: Where a fan is being fitted, you may prefer to increase the 'A' dimension to 100 mm to provide easier access for servicing. If so, the amount you add to 'A' to bring it to 100 mm must also be added to the 'C' and 'S' dimensions.

# FLOOR PROTECTORS (Hearth) REQUIREMENTS CORNER INSTALLATION

MINIMUM FLOOR PROTECTOR DIMENSIONS IN mm



# DIMENSIONS IN THE TABLE ARE VALID ONLY WHEN THE FIRE IS EXACTLEY AT ITS MINIMUM ALLOWABLE WALL CLEARANCE.

## NEW ZEALAND

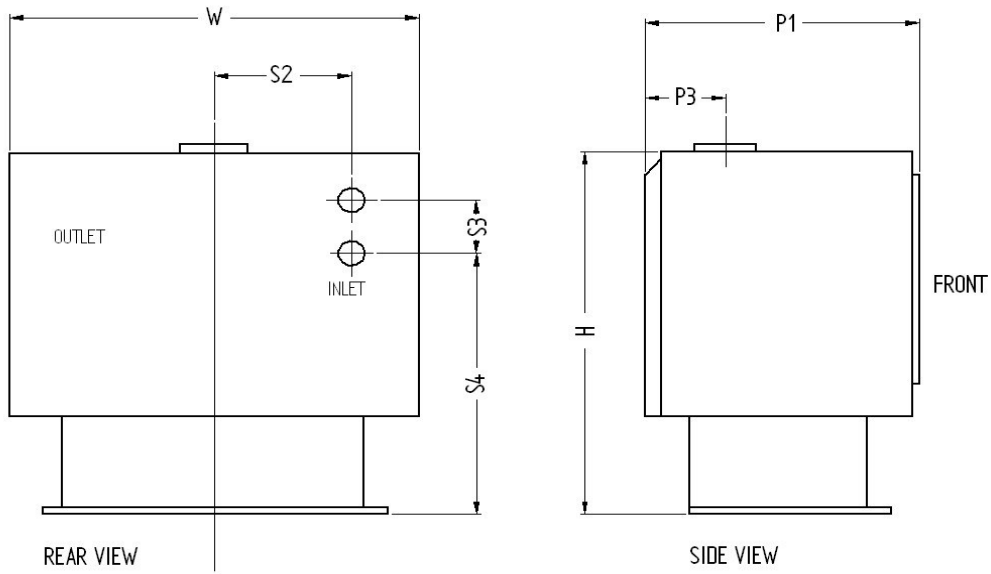
| MODEL             | Flue Shield | Floor Protector Distance above Floor | C   | E   | H#  | L#   | M#   | N   | R#  | Floor Protector Type Ø |
|-------------------|-------------|--------------------------------------|-----|-----|-----|------|------|-----|-----|------------------------|
| Kronos Multi Fuel | *           |                                      | 300 | 160 | 514 | 1362 | 1175 | 636 | 726 | ASH                    |
|                   |             |                                      |     |     |     |      |      |     |     |                        |
|                   |             |                                      |     |     |     |      |      |     |     |                        |

\* KRONOS double skin S/S polished 1200 mm shield

## AUSTRALIA

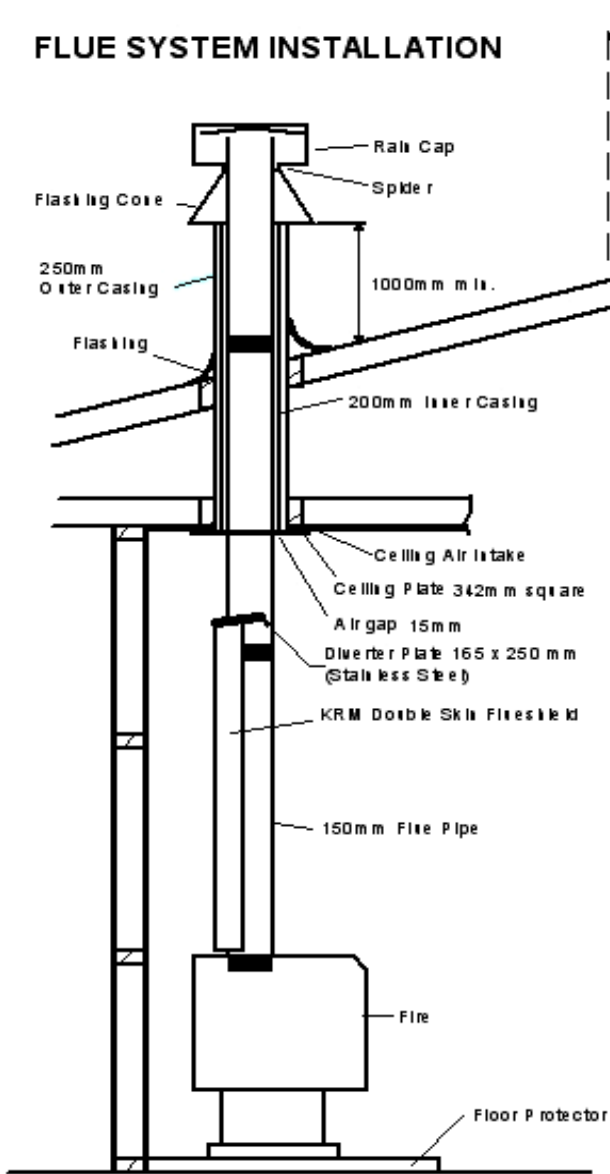
| MODEL | Flue Shield | Floor Protector Distance above Floor | C | E | H# | L# | M# | N | R# | Floor Protector Type Ø |
|-------|-------------|--------------------------------------|---|---|----|----|----|---|----|------------------------|
|       |             |                                      |   |   |    |    |    |   |    |                        |
|       |             |                                      |   |   |    |    |    |   |    |                        |
|       |             |                                      |   |   |    |    |    |   |    |                        |

# FREE STANDING FIRE DIMENSIONS



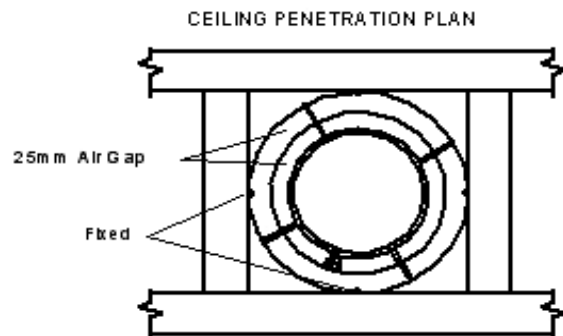
| MODEL                |  | P1  | P3  | H   | W   | S1 | S2  | S3  | S4  |
|----------------------|--|-----|-----|-----|-----|----|-----|-----|-----|
| Kronos<br>Multi Fuel |  | 547 | 207 | 712 | 700 | -  | 200 | 120 | 362 |

# FLUE SYSTEM INSTALLATION



Installation shown complies with AS/NZS 2918:2001. If a flue exits out of the roof within 3 metres from the ridge, the outer shield height shall be not less than 600mm above the ridge. If the flue exits further than 3 metres out from the roof ridge then it must project at least 1000mm above roof penetration. This dimension may need increasing to ensure that the top of the flue is at least 3 metres away from the roof or other obstructions when measured horizontally.

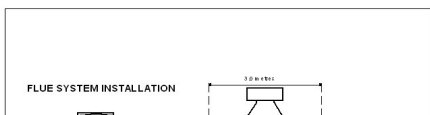
The flue pipe shall extend not less than 4.6m above the top of the floor protector. Due to factors such as roof pitch, predominant winds, nearby obstructions (ie. trees, buildings), and fire placement, flue lengths and hats/cowls may vary.

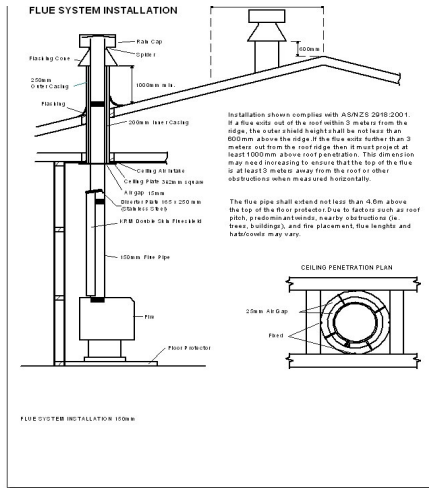


FLUE SYSTEM INSTALLATION 150mm

**NOTE: THIS FIRE REQUIRES THE SPECIAL KRONOS DOUBLE SKIN FLUESHIELD AND AN ADDITIONAL SS FLUE DEFLECTOR MEASURING 165X250mm**

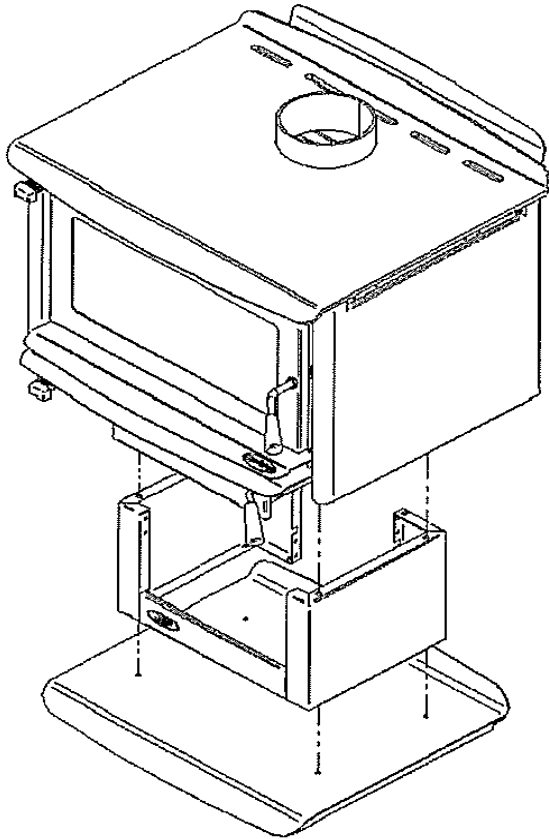








# ASSEMBLY OF KRONOS MULTI FUEL FIRE



1. Remove the contents from the fire and assemble the pedestal sides and front to the base using nuts and bolts supplied. (Note: the 4 longer bolts are for stage 2).
2. Lower the fire onto the now assembled pedestal unit and bolt to the fire.
3. Place assembled fire in position and seismic restraint to the floor.
4. Next, if not already fitted in place, fit the baffle plate into place. The baffle plate is to be situated in the upper half of the fire and sits onto the brackets bolted inside the firebox.

